

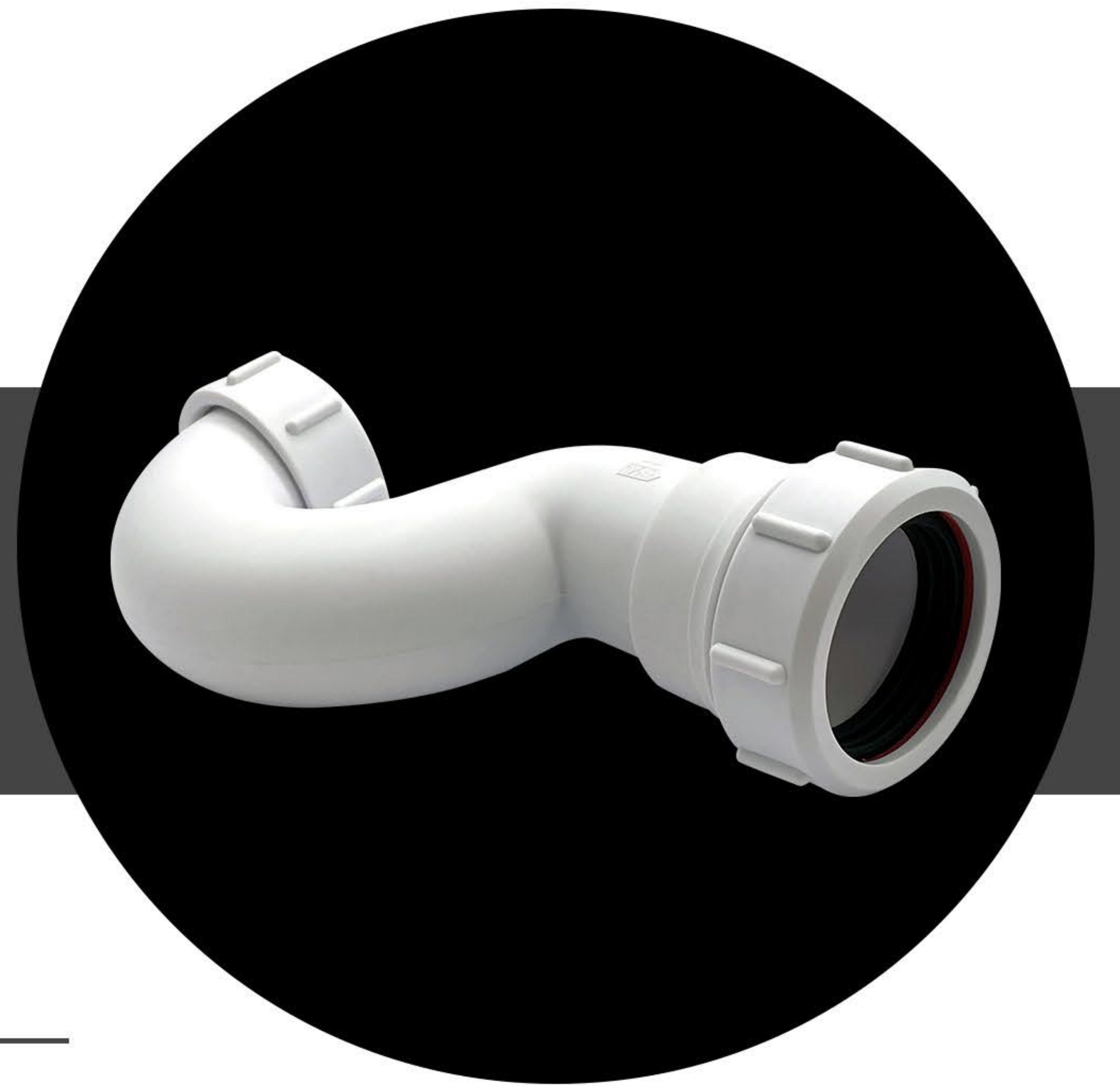


# CranPlas

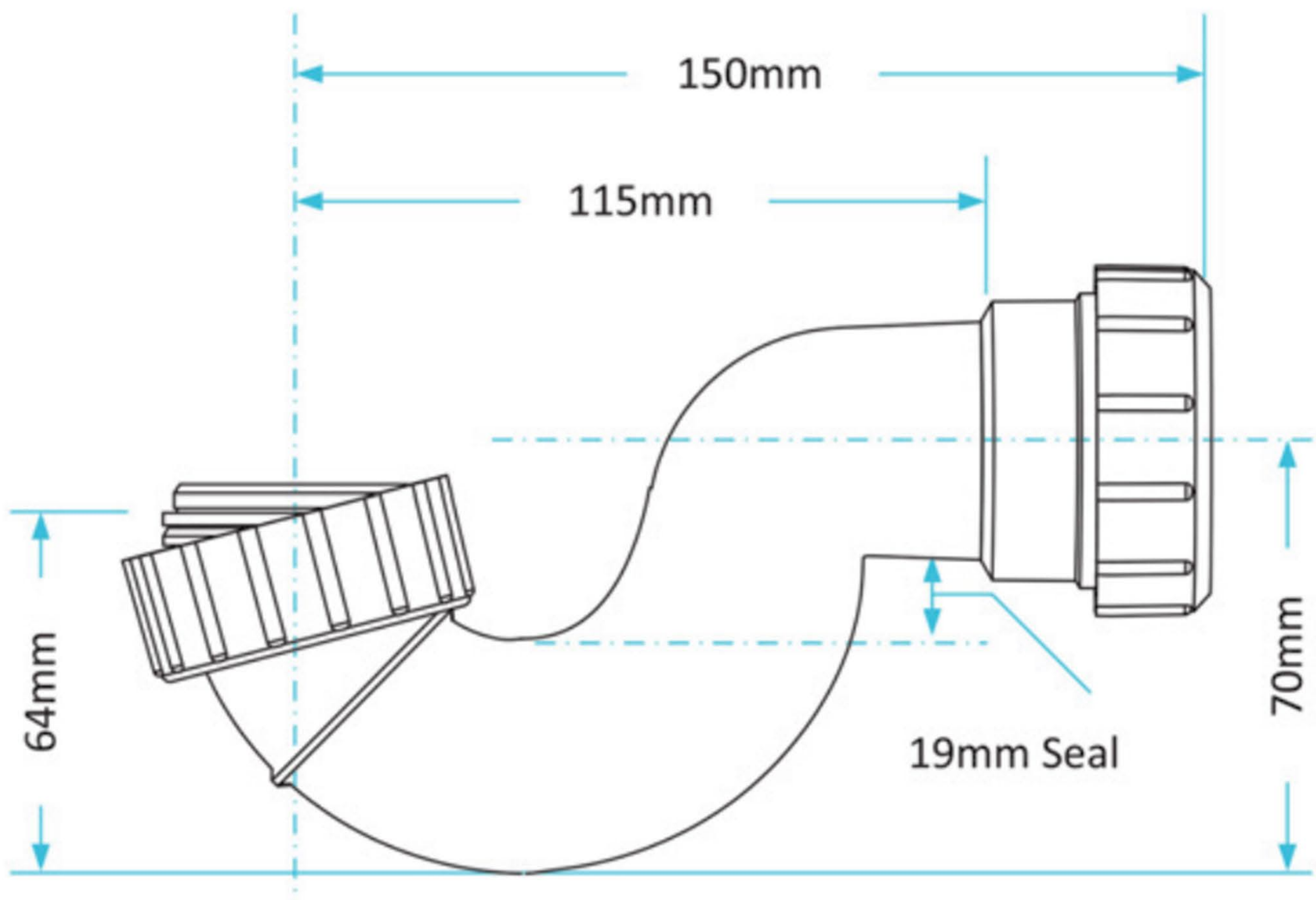
Sanitary Products

CODE: **CP109**

**40mm Bath Trap 19mm Seal**



## Dimensions



*All drawings contain the necessary measurements which are subject to standard tolerances. Exact measurements, in particular for customised installation scenarios, can only be taken from the finished ceramic piece.*