

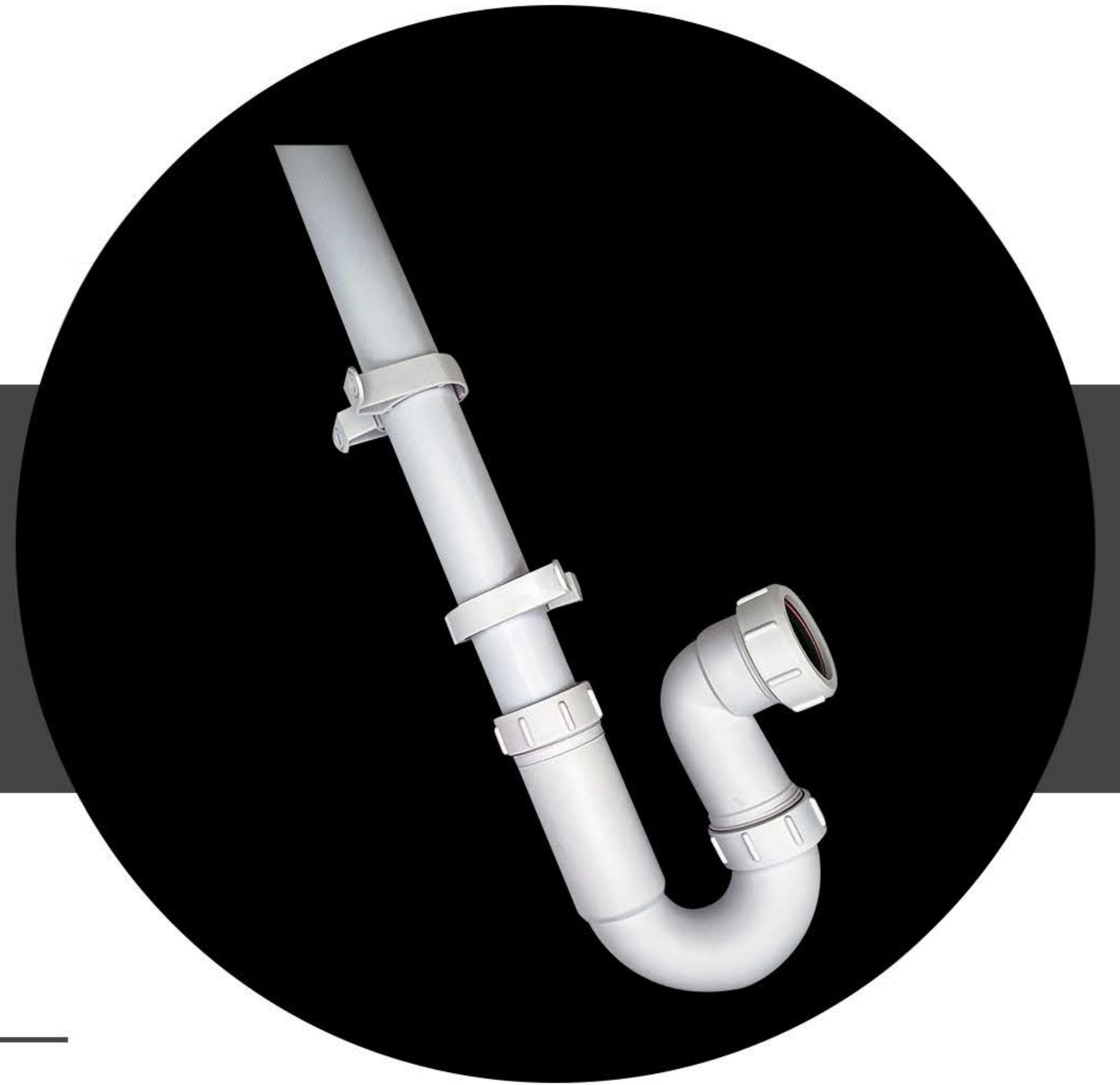


# CranPlas

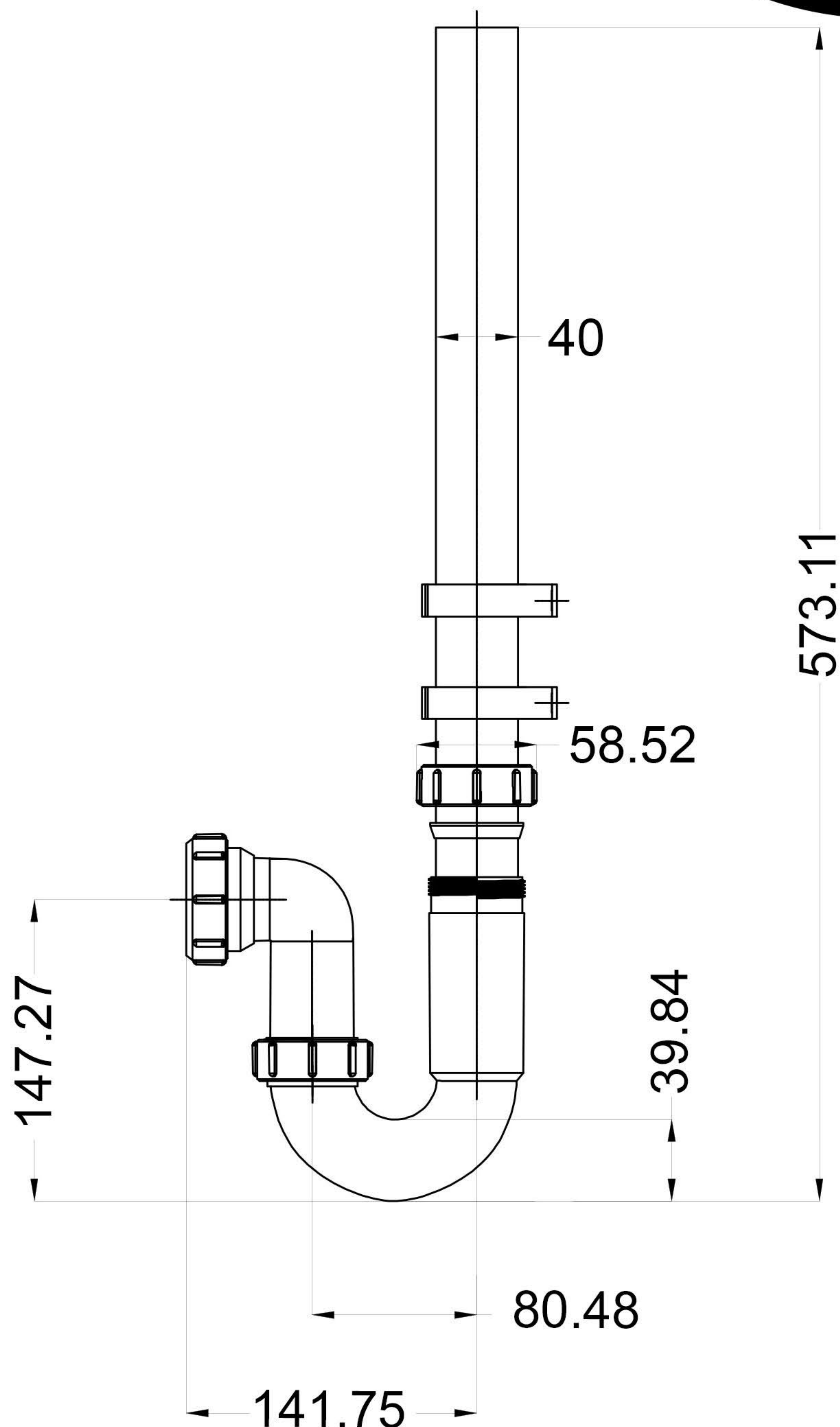
Sanitary Products

CODE: **CP111**

**40mm Washing Machine Trap  
Kit**



## Dimensions



*All drawings contain the necessary measurements which are subject to standard tolerances. Exact measurements, in particular for customised installation scenarios, can only be taken from the finished ceramic piece.*