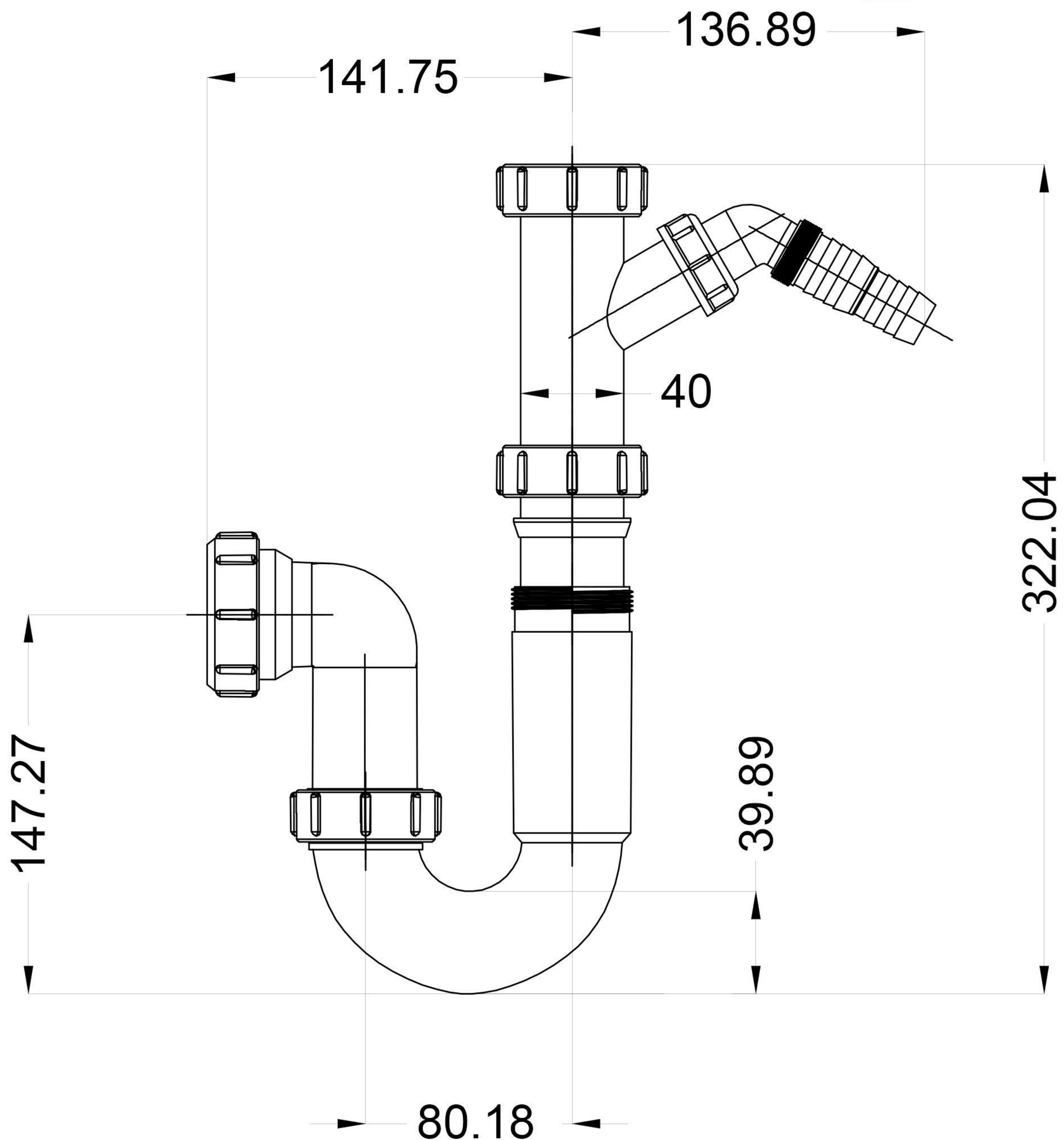


CODE: **CP112**  
**40mm P Trap With Spiggot**  
**76mm Seal**



## Dimensions



*All drawings contain the necessary measurements which are subject to standard tolerances. Exact measurements, in particular for customised installation scenarios, can only be taken from the finished ceramic piece.*