



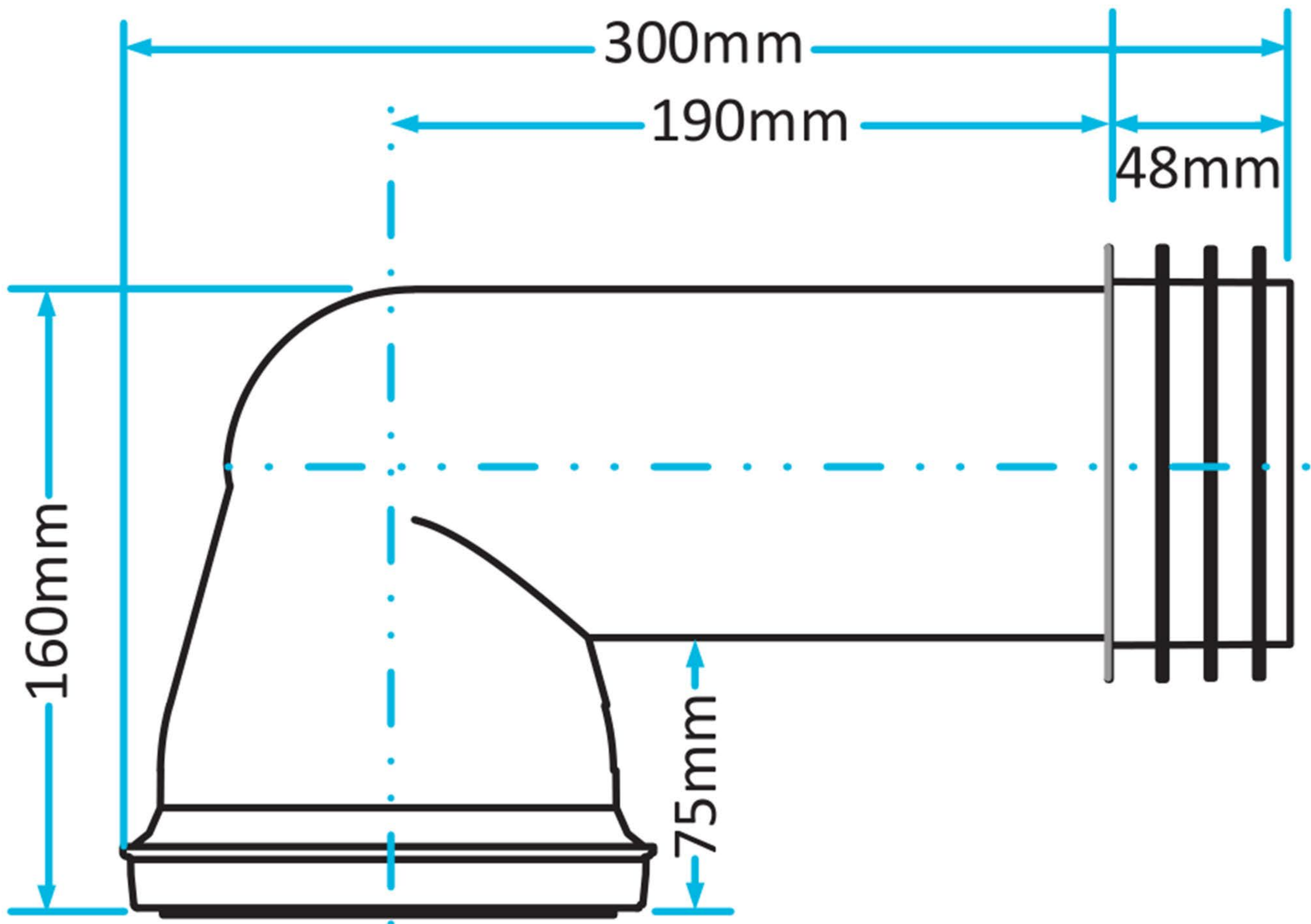
**CranPlas**  
Sanitary Products

CODE: **CP119**

**90 Degree Bent Pan  
Connector**



### Dimensions



*All drawings contain the necessary measurements which are subject to standard tolerances. Exact measurements, in particular for customised installation scenarios, can only be taken from the finished ceramic piece.*