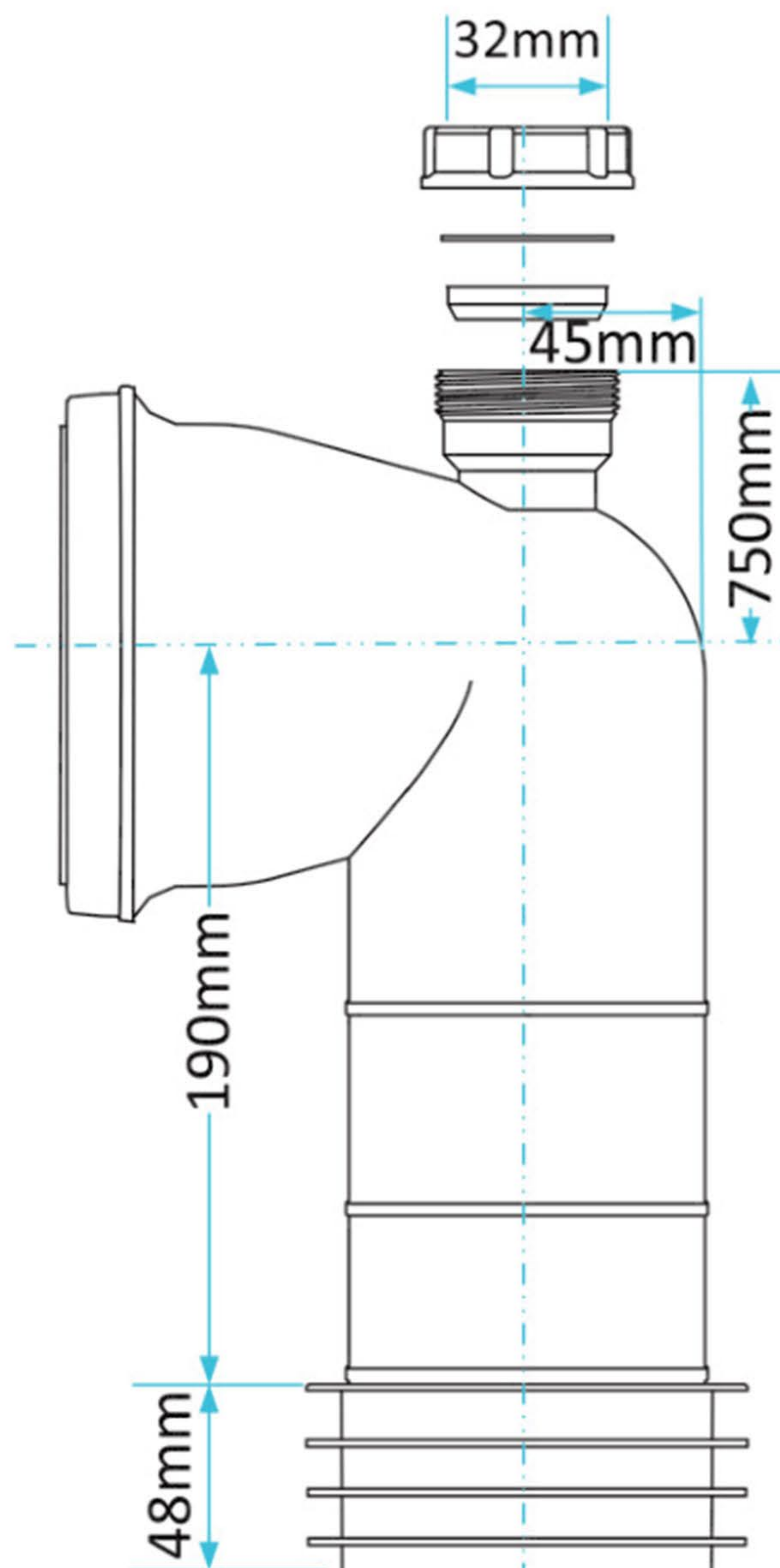


CODE: **CP120**
**90 Degree Bent Pan
Connector With 32mm Outlet**



Dimensions



All drawings contain the necessary measurements which are subject to standard tolerances. Exact measurements, in particular for customised installation scenarios, can only be taken from the finished ceramic piece.