



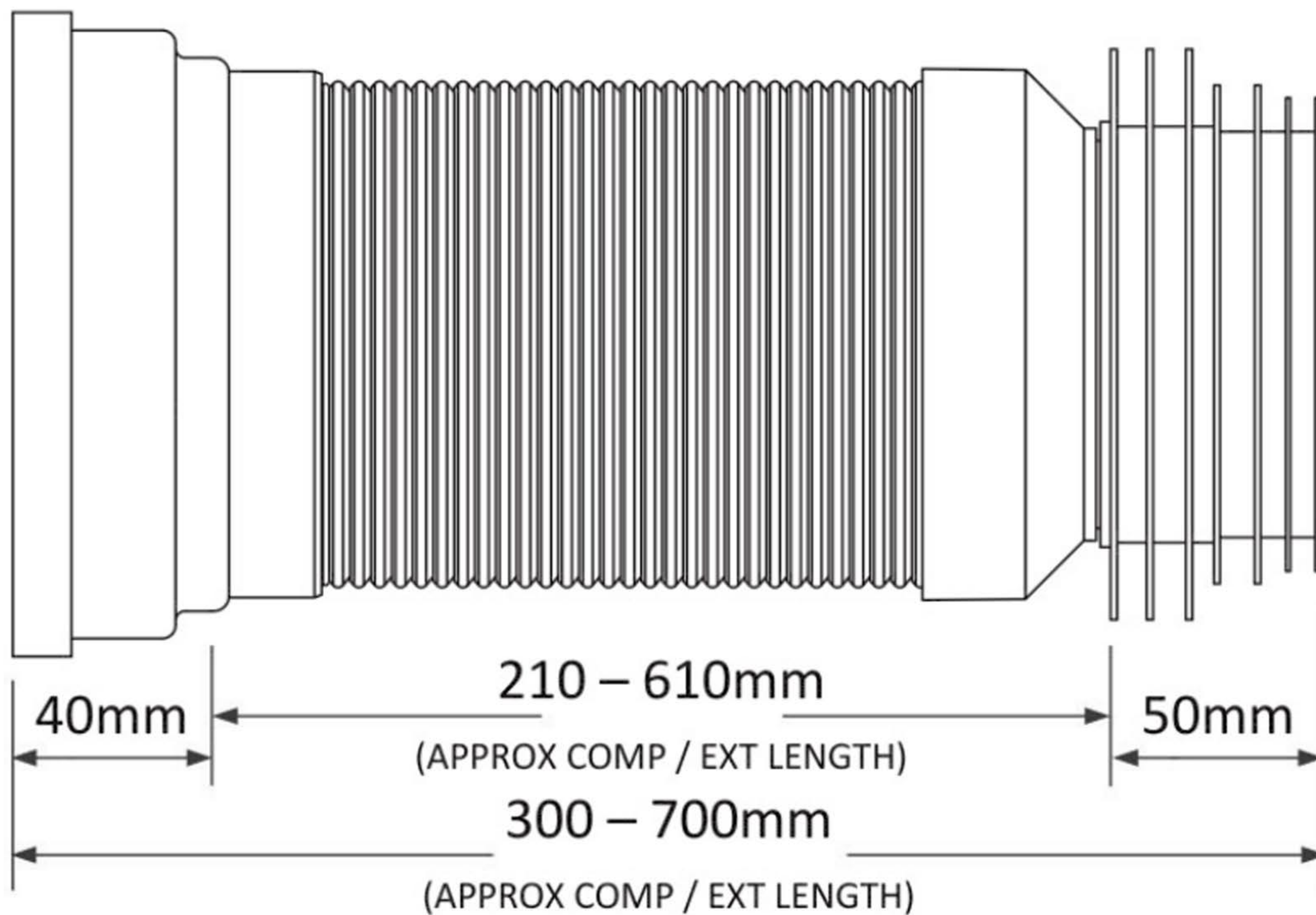
CranPlas
Sanitary Products

CODE: **CP122**

Flexible WC Pan Connector



Dimensions



All drawings contain the necessary measurements which are subject to standard tolerances. Exact measurements, in particular for customised installation scenarios, can only be taken from the finished ceramic piece.